

Keysight N2117A V-Series Oscilloscope Stack Mount Kit

Notices

© Keysight Technologies, Inc. 2015

No part of this manual may be reproduced in any form or by any means (including electronic storage and retrieval or translation into a foreign language) without prior agreement and written consent from Keysight Technologies, Inc. as governed by United States and international copyright laws.

Manual Part Number

N2117-92000

Edition

February 2015

Printed in Malaysia

Published by:
Keysight Technologies, Inc.
1900 Garden of the Gods Rd.
Colorado Springs, CO 80907 USA

Warranty

The material contained in this document is provided “as is,” and is subject to being changed, without notice, in future editions. Further, to the maximum extent permitted by applicable law, Keysight disclaims all warranties, either express or implied, with regard to this manual and any information contained herein, including but not limited to the implied warranties of merchantability and fitness for a particular purpose. Keysight shall not be liable for errors or for incidental or consequential damages in connection with the furnishing, use, or performance of this document or of any information contained herein. Should Keysight and the user have a separate written agreement with warranty terms covering the material in this document that conflict with these terms, the warranty terms in the separate agreement shall control.

Technology Licenses

The hardware and/or software described in this document are furnished under a license and may be used or copied only in accordance with the terms of such license.

Restricted Rights Legend

If software is for use in the performance of a U.S. Government prime contract or subcontract, Software is delivered and licensed as “Commercial computer software” as defined in DFAR 252.227-7014 (June 1995), or as a “commercial item” as defined in FAR

2.101(a) or as “Restricted computer software” as defined in FAR 52.227-19 (June 1987) or any equivalent agency regulation or contract clause. Use, duplication or disclosure of Software is subject to Keysight Technologies’ standard commercial license terms, and non-DOD Departments and Agencies of the U.S. Government will receive no greater than Restricted Rights as defined in FAR 52.227-19(c)(1-2) (June 1987). U.S. Government users will receive no greater than Limited Rights as defined in FAR 52.227-14 (June 1987) or DFAR 252.227-7015 (b)(2) (November 1995), as applicable in any technical data.

Safety Notices

CAUTION

A **CAUTION** notice denotes a hazard. It calls attention to an operating procedure, practice, or the like that, if not correctly performed or adhered to, could result in damage to the product or loss of important data. Do not proceed beyond a **CAUTION** notice until the indicated conditions are fully understood and met.

WARNING

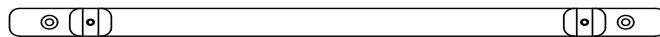
A **WARNING** notice denotes a hazard. It calls attention to an operating procedure, practice, or the like that, if not correctly performed or adhered to, could result in personal injury or death. Do not proceed beyond a **WARNING** notice until the indicated conditions are fully understood and met.

In This Guide

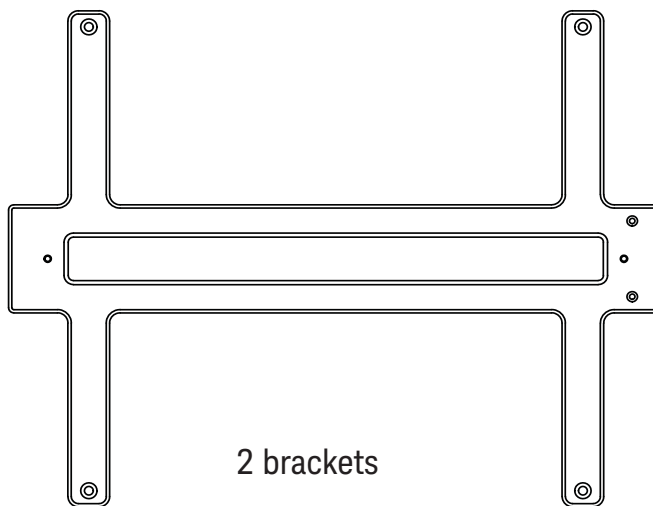
This guide contains instructions for installing the Keysight N2117A Stack Mount Kit. The stack mount kit provides hardware for stacking two Infiniium V-Series oscilloscopes.

Included parts

The stack mount kit includes 4 support bars, 2 brackets, and 20 screws.



4 support bars



2 brackets



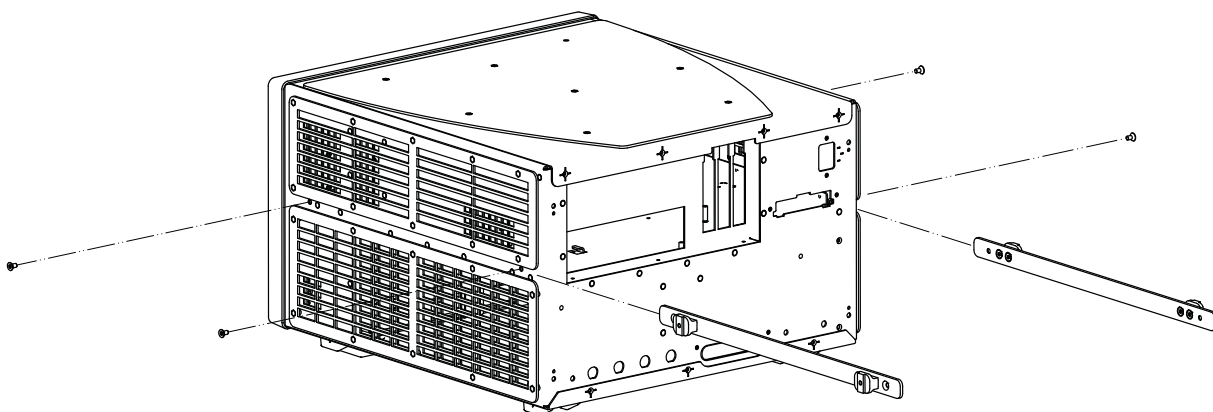
20 M4 screws

Tools required

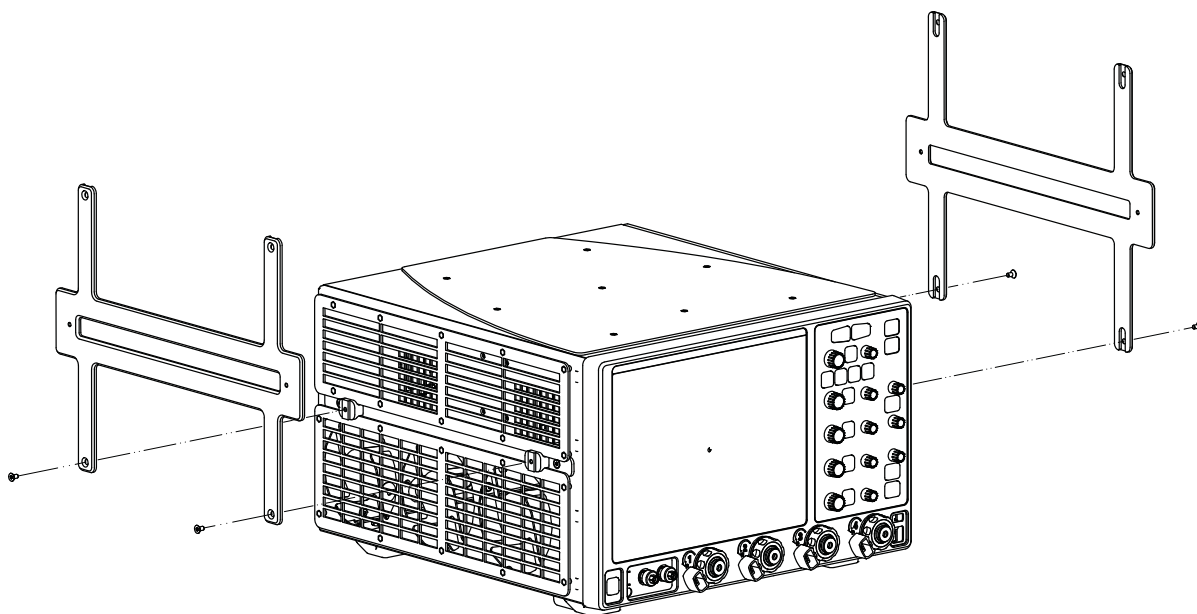
The only tool required for installing the stack mount kit is a T20 Torx driver.

Assembling the stack mount

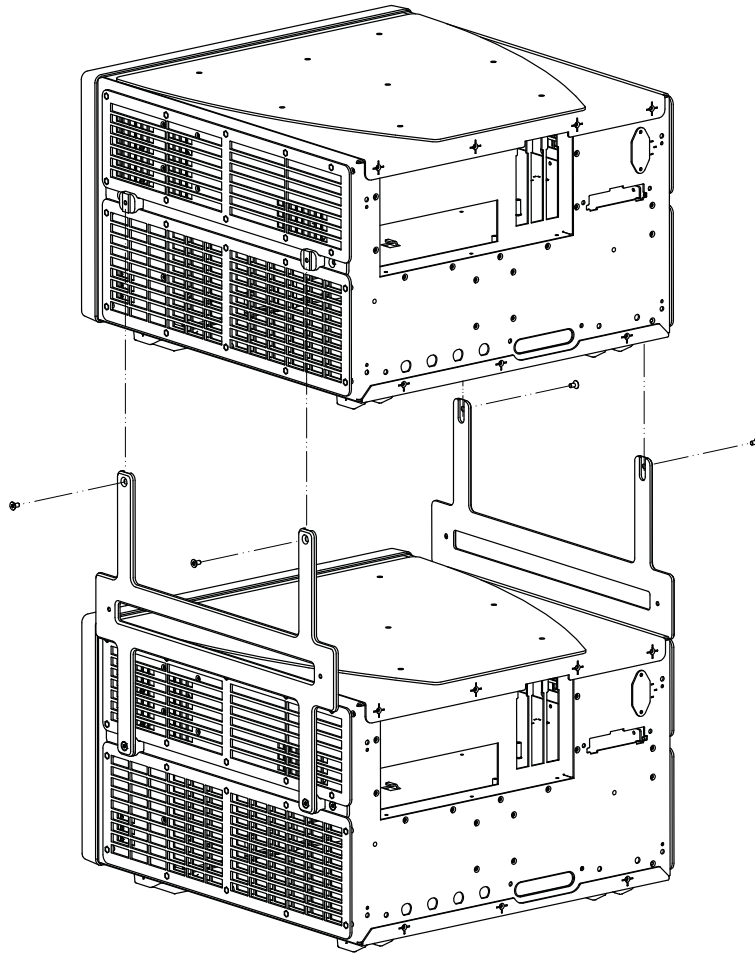
- 1 Remove the side handles from both oscilloscopes.
- 2 Attach a support bar to each side of each oscilloscope as shown, using four screws for each oscilloscope. Torque to 18 in-lbs.



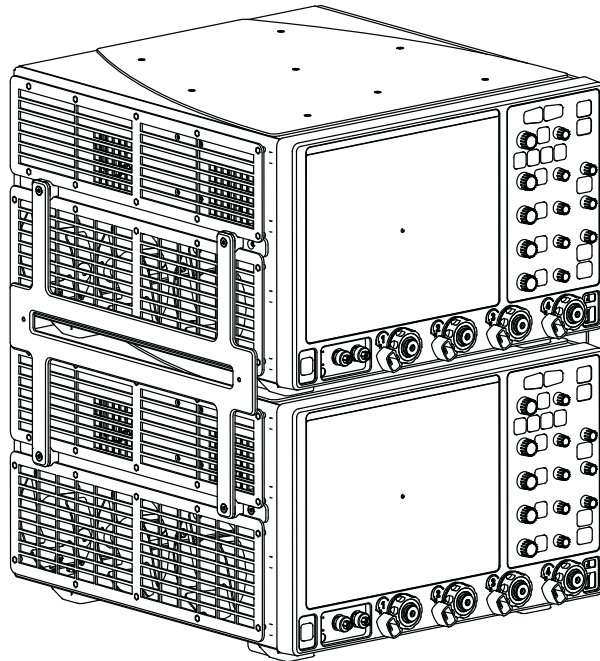
- 3 Attach a bracket to each side of the bottom oscilloscope using four screws. Torque to 18 in-lbs.



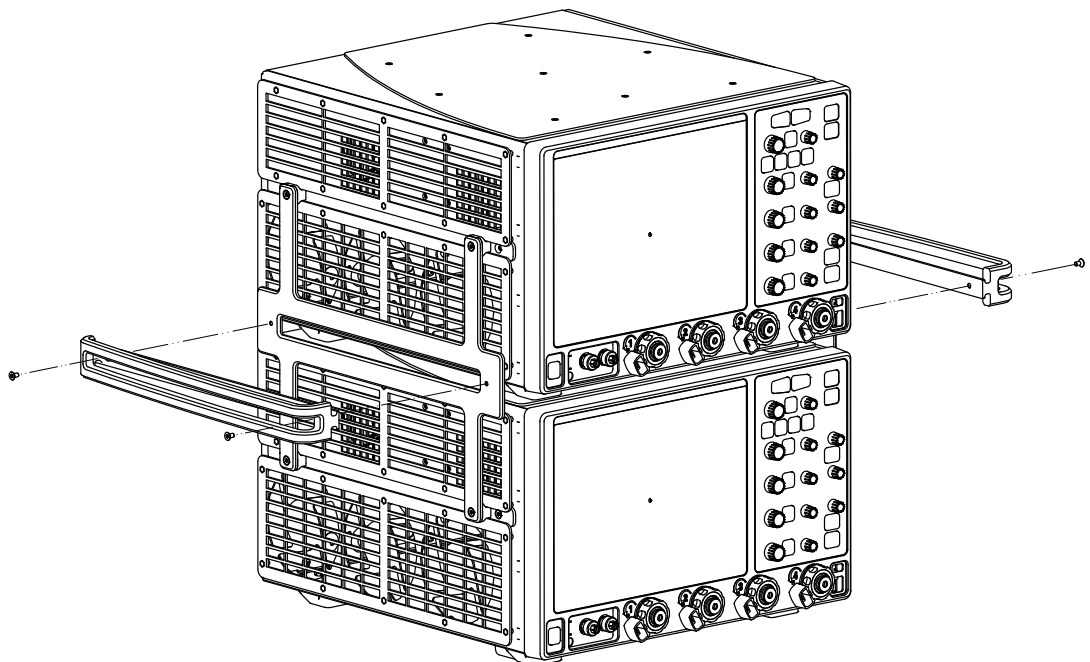
- 4 With someone holding the front and back of the top oscilloscope in place, align the top holes of the brackets with the holes on the support bars. Insert four screws and torque to 18 in-lbs.



The stack mount is complete.



To make it easier to move the stacked oscilloscopes, you may want to attach a handle to each bracket using the four remaining screws.





This information is subject to change without notice.

© Keysight Technologies 2015

Printed in Malaysia
February 2015



N2117-92000
www.keysight.com